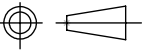



MACHINE:	OTF-1	ASME Y 14.5M 1994 APPLIES DRAWING SPECIFIES THE COMPLETE PART REQUIREMENT  THIRD ANGLE PROJECTION LINEAR TOLERANCES: X = ± 0.05 XX = ± 0.01 .XXX = ± 0.003 ANGULAR TOLERANCES ± 1° CHAMFER TOLERANCES ± 5° REMOVE ALL BURRS & SHARP EDGES .002 - .020 X 45° MAX SURFACE FINISH 125√			
POWER:	220 V. 3 Ph				OTF-1
AIR PSI:	90 - 110		SIZE	PART NO.	
DUST PORTS:	2.5"		B	OTF-1 FOOTPRINT	REV.
DUST CFM:	350		SCALE:1:24	DO NOT SCALE DRAWING	A
			SHEET 1 OF 1		