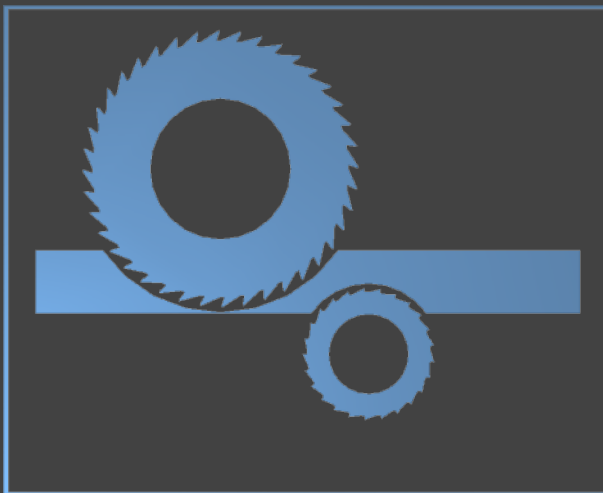




TSS



TRIM - SCORE - SAW



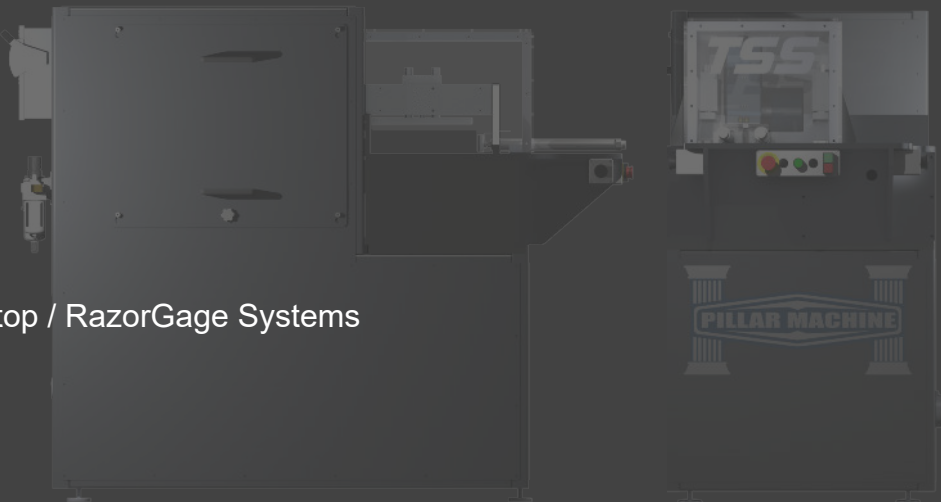
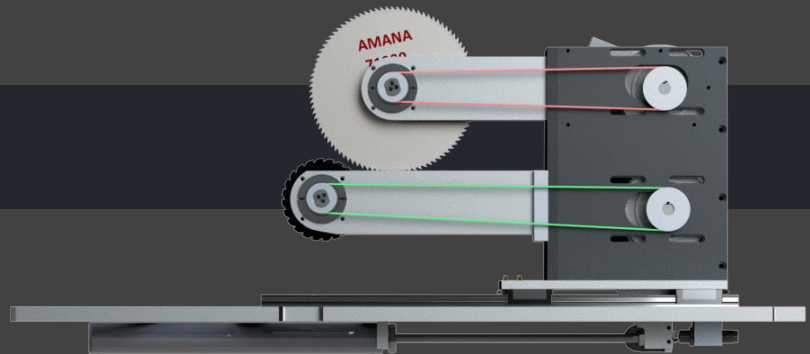
The TSS machine was designed to cut materials that are susceptible to tear out as well as for pack cutting of multiple parts at the same time. The saw is equipped with two counter rotating saws mounted above and below one another. The bottom saw is designed for pre-scoring parts prior to cut off to prevent tear out. The bottom spindle is designed to accept a 6" diameter scoring saw and is powered by a 1 1/2 HP motor. Spindle speed is 4700 RPM. The top spindle is designed for a 12" diameter saw blade and is powered by a 3 HP motor with a spindle speed of 4700 RPM as well. Saw blade travel is horizontal via linear bearings. It is powered by a pneumatic cylinder with adjustable flow controls. For Safety, horizontally mounted pneumatic work clamps are installed on each side of the cut-off saw and are equipped with a proximity switch to release only after full saw blade retraction.

Standard Features:

- 2 Counter Rotating Saws
- Tear-Out Free Design
- Ability to Cut Multiple Parts At Once
- 2" x 12" Material Size

Options:

- Waste Chute
- Additional Part Clamping
- 10 Degree Table Tilt
- 2" X 24" Material Size
- Full Integration with TigerStop / RazorGage Systems



SIZE

W x D x H

32 x 72 x 57



PSI

Air

90 - 110



POWER

Requirement

220 v 3 Ph



PORTS

Dust Collection

4" (2x)



CFM

Dust Collection

700