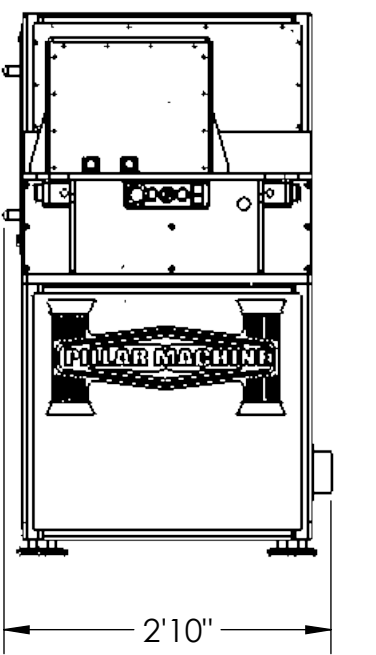
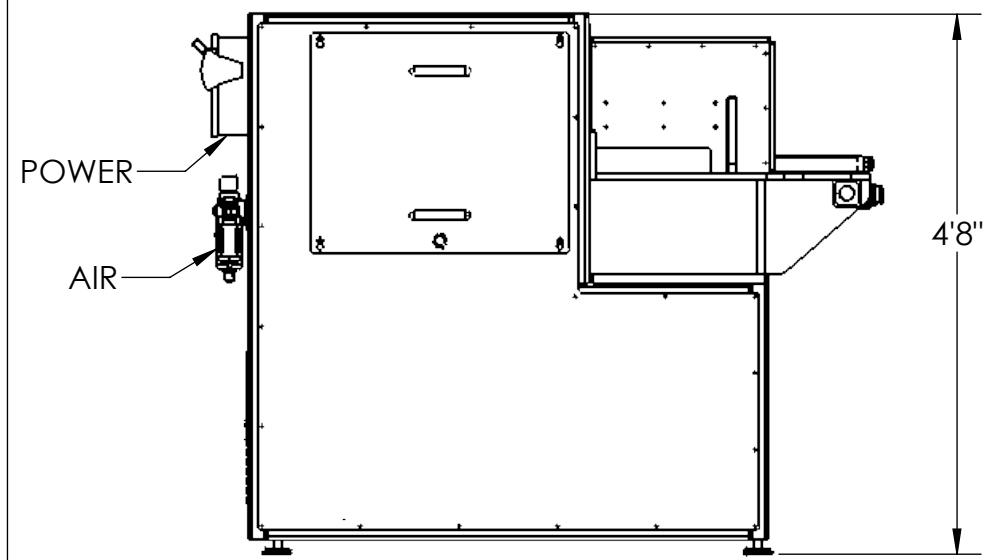
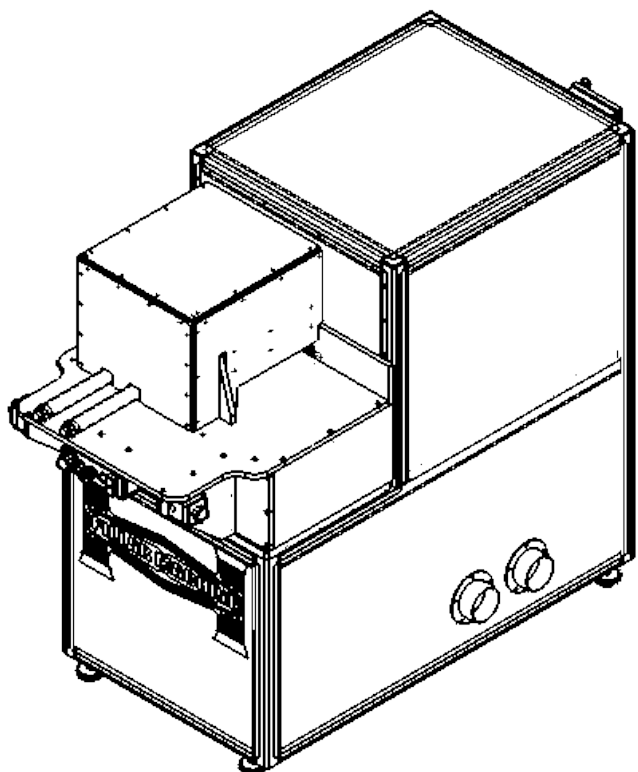
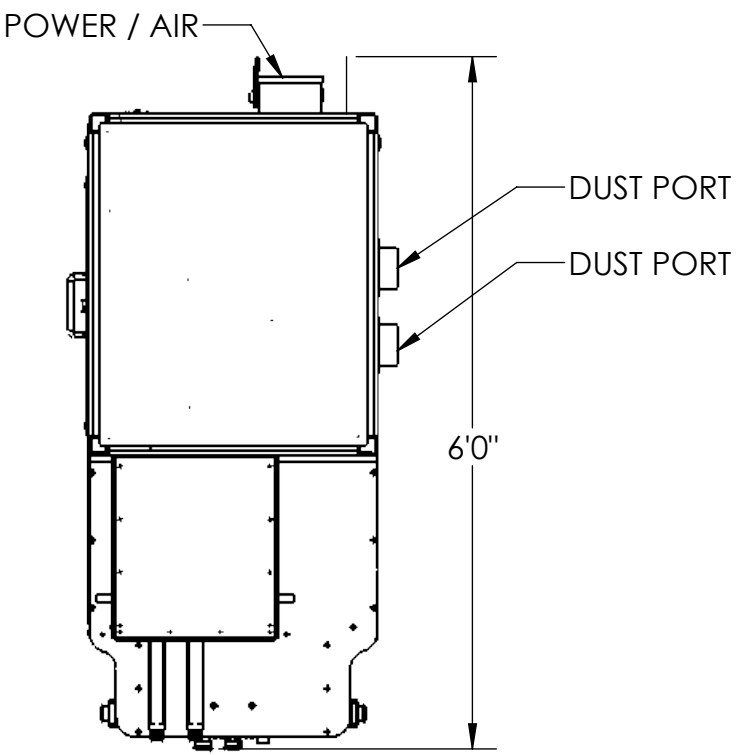
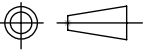



NOTE TO PERSONS RECEIVING THIS DRAWING AND/OR TECHNICAL INFORMATION: PILLAR MACHINE. CLAIMS PROPRIETARY RIGHTS OF THE INFORMATION DISCLOSED HEREON.
 THIS DOCUMENT IS ISSUED IN CONFIDENCE AND IS NOT TO BE REPRODUCED OR USED TO MANUFACTURE ANYTHING SHOWN HEREON WITHOUT PERMISSION OF PILLAR MACHINE.



MACHINE:	TSS	ASME Y 14.5M 1994 APPLIES DRAWING SPECIFIES THE COMPLETE PART REQUIREMENT  THIRD ANGLE PROJECTION LINEAR TOLERANCES: X = ± 0.05 XX = ± 0.01 .XXX = ± 0.003 ANGULAR TOLERANCES ± 1° CHAMFER TOLERANCES ± 5° REMOVE ALL BURRS & SHARP EDGES .002 - .020 X 45° MAX SURFACE FINISH 125✓	 PILLAR MACHINE 801-965-1900 PILLARMACHINE.COM KITCHEN CRAFT CSS
POWER:	220 V. 3 Ph		
AIR PSI:	90 - 110		
DUST PORTS:	4" (2X)		
DUST CFM:	700		
SIZE	PART NO.	REV.	
B	TSS-4 FOOTPRINT	A	
SCALE: 1:20	DO NOT SCALE DRAWING	SHEET 1 OF 1	