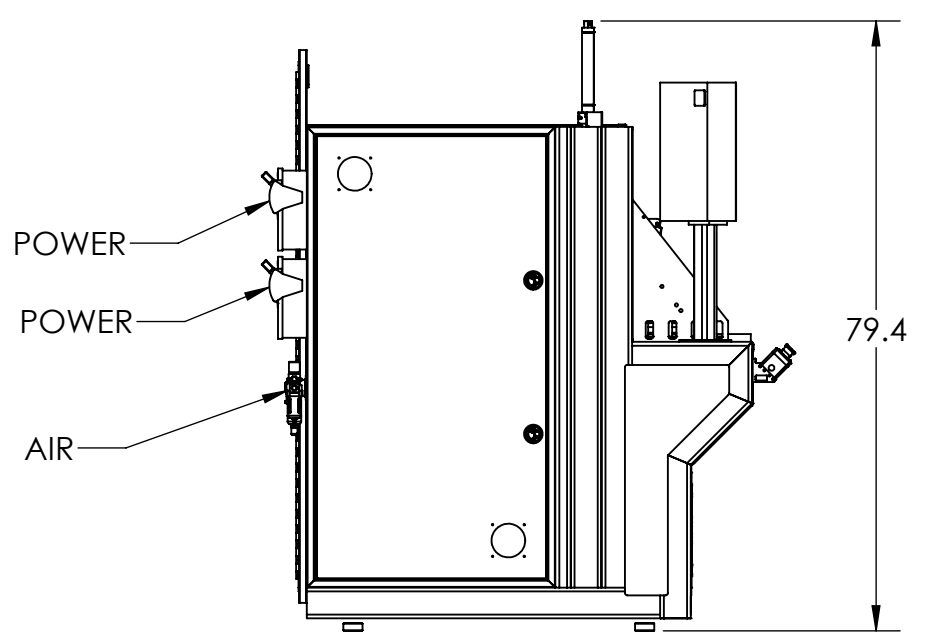
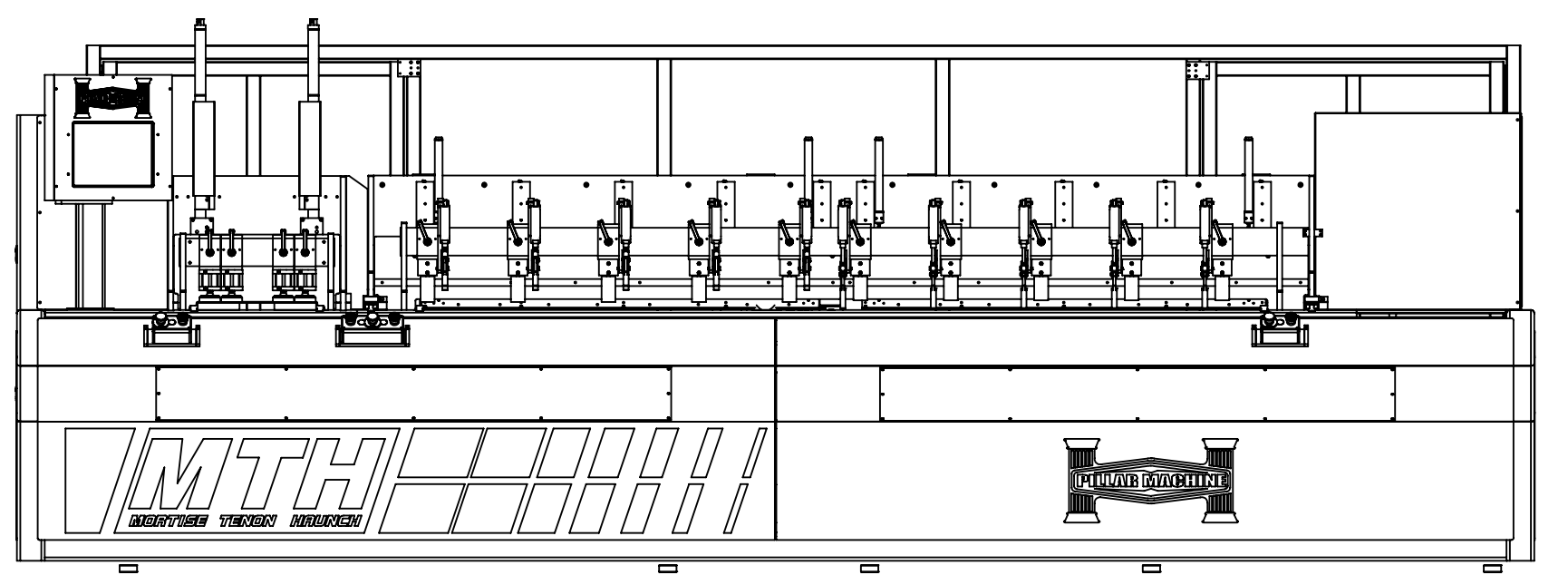
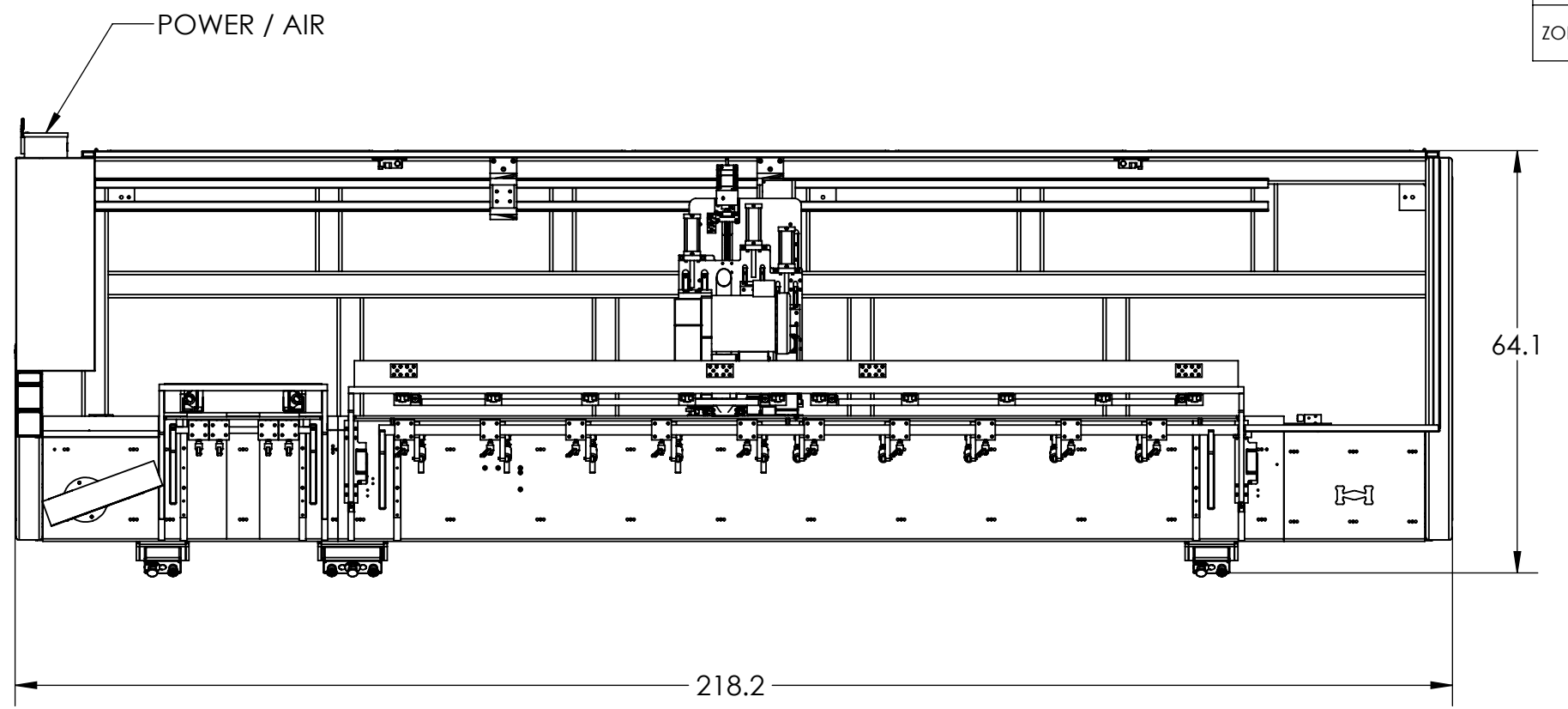


REVISIONS				
ZONE	REV.	DESCRIPTION	DATE	APPROVED



MACHINE:	MTH
POWER:	220 V. 3 Ph
AIR PSI:	90 - 110
DUST PORTS:	3" (1) 4" (2)
DUST CFM:	1050

ASME Y 14.5M 1994 APPLIES
DRAWING SPECIFIES THE
COMPLETE PART REQUIREMENT

THIRD ANGLE PROJECTION

LINEAR TOLERANCES:
X = ± 0.05
XX = ± 0.01
.XXX = ± 0.003

ANGULAR TOLERANCES ± 1°
CHAMFER TOLERANCES ± .5°
REMOVE ALL BURRS & SHARP EDGES
.002 - .020 X 45° MAX

SURFACE FINISH 125 ✓



MTH ASSEMBLY

SIZE	PART NO.	REV.
SCALE: 1:25	DO NOT SCALE DRAWING	SHEET 1 OF 1