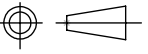



MACHINE:	700	ASME Y 14.5M 1994 APPLIES DRAWING SPECIFIES THE COMPLETE PART REQUIREMENT  THIRD ANGLE PROJECTION LINEAR TOLERANCES: X = ± 0.05 XX = ± 0.01 .XXX = ± 0.003 ANGULAR TOLERANCES ± 1° CHAMFER TOLERANCES ± 5° REMOVE ALL BURRS & SHARP EDGES .002 - .020 X 45° MAX SURFACE FINISH 125✓		
POWER:	220 V. 3 Ph			
AIR PSI:	N/A			
DUST PORTS:	4" (2+)			
DUST CFM:	900+			
SCALE: 1:24 DO NOT SCALE DRAWING		SIZE B PART NO. 700-1 FOOTPRINT	REV. A	