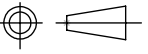



MACHINE:	HPJV-49	ASME Y 14.5M 1994 APPLIES DRAWING SPECIFIES THE COMPLETE PART REQUIREMENT  THIRD ANGLE PROJECTION LINEAR TOLERANCES: X = ± 0.05 XX = ± 0.01 .XXX = ± 0.003 ANGULAR TOLERANCES ± 1° CHAMFER TOLERANCES ± .5° REMOVE ALL BURRS & SHARP EDGES .002 - .020 X 45° MAX SURFACE FINISH 125/√	 HPJV-49 2018 VERSION WITH SIGMA 7 SERVOS		
POWER:	220 V. 3 Ph			SIZE PART NO. B HPJV-49 FOOTPRINT REV. A	
AIR PSI:	90 - 110		SCALE: 1:24	DO NOT SCALE DRAWING	SHEET 1 OF 1
DUST PORTS:	3" (1X)				
DUST CFM:	350				