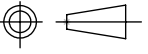



MACHINE:	CMJ-HSK	ASME Y 14.5M 1994 APPLIES DRAWING SPECIFIES THE COMPLETE PART REQUIREMENT  THIRD ANGLE PROJECTION LINEAR TOLERANCES: X = ± 0.05 XX = ± 0.01 .XXX = ± 0.003 ANGULAR TOLERANCES ± 1° CHAMFER TOLERANCES ± 5° REMOVE ALL BURRS & SHARP EDGES .002 - .020 X 45° MAX SURFACE FINISH 125✓	 CMJ	
POWER:	220 V. 3 Ph			
AIR PSI:	90 - 110			
DUST PORTS:	4" (2X)			
DUST CFM:	700			
SIZE B PART NO. CMJ-HSK FOOTPRINT REV. A		SCALE: 1:20	DO NOT SCALE DRAWING	SHEET 1 OF 1