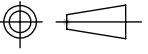



MACHINE:	BOA-S-2	ASME Y 14.5M 1994 APPLIES DRAWING SPECIFIES THE COMPLETE PART REQUIREMENT  THIRD ANGLE PROJECTION LINEAR TOLERANCES: X = ± 0.05 XX = ± 0.01 .XXX = ± 0.003 ANGULAR TOLERANCES ± 1° CHAMFER TOLERANCES ± 5° REMOVE ALL BURRS & SHARP EDGES .002 - .020 X 45° MAX SURFACE FINISH 125/	
POWER:	220 V. 3 Ph		
AIR PSI:	90 - 110		
DUST PORTS:	N/A		
DUST CFM:	N/A		
SCALE: 1:30 DO NOT SCALE DRAWING		SIZE PART NO. B BOA-S-2 96 FOOTPRINT A	REV. SHEET 1 OF 1